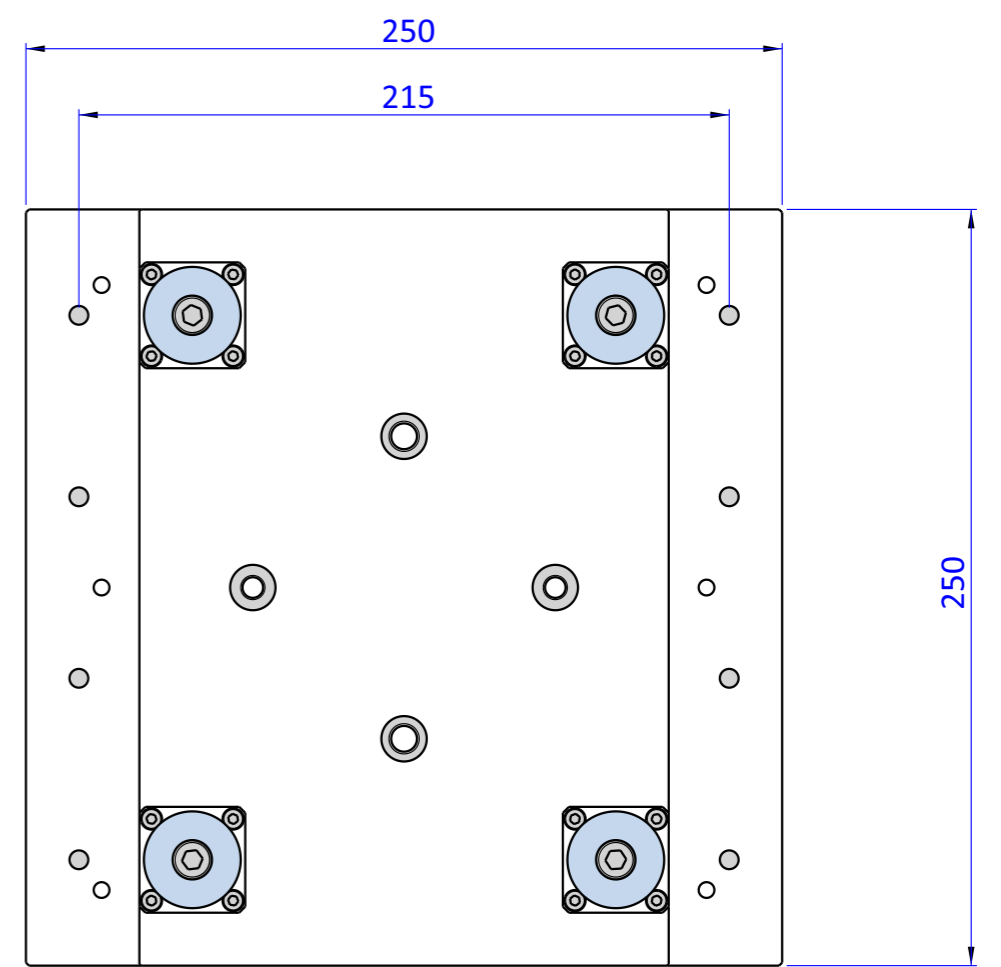
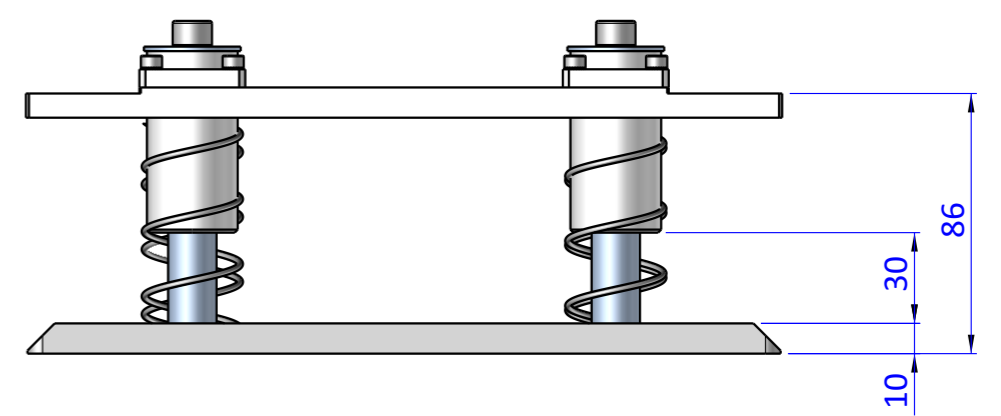
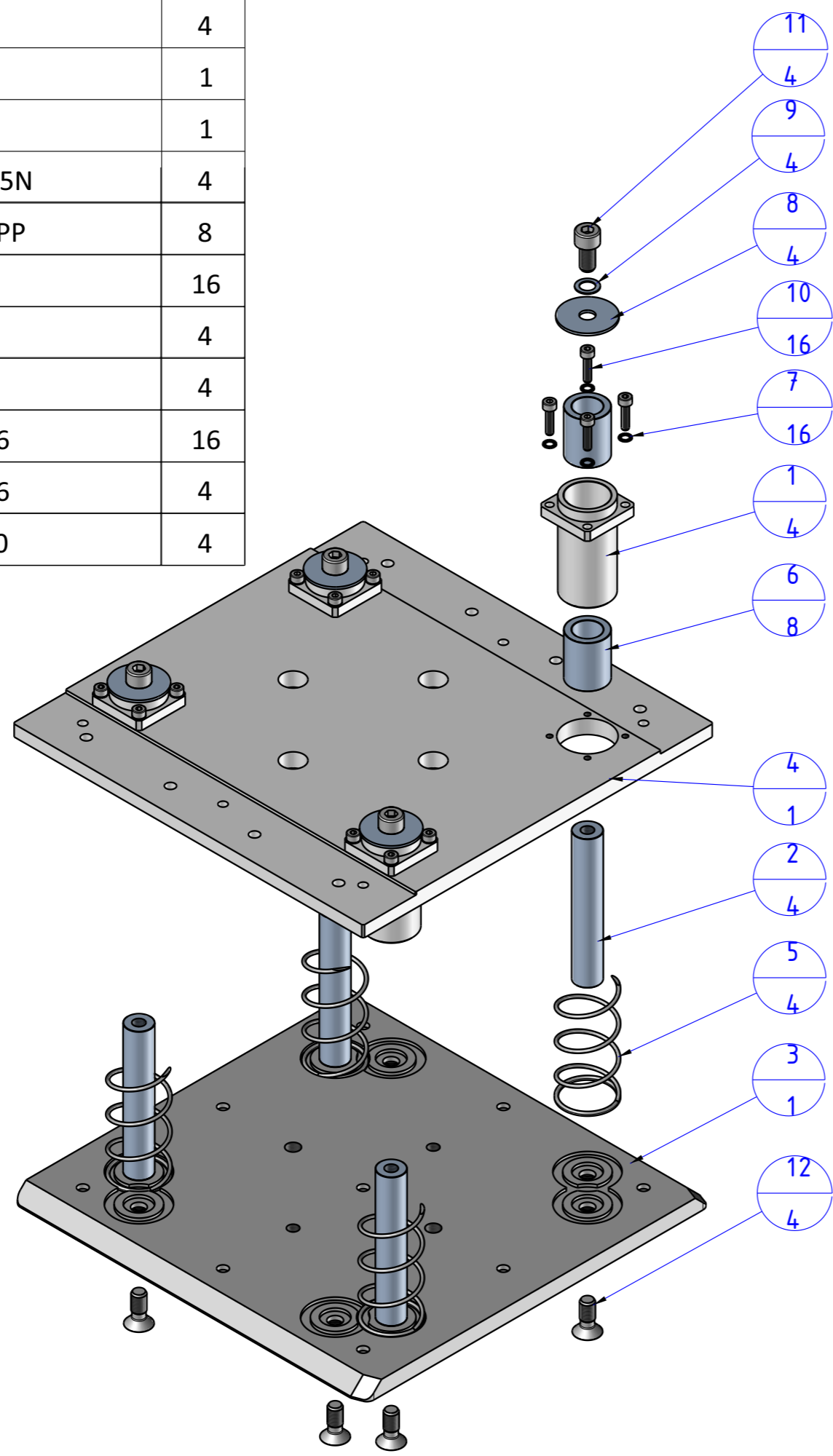



THE PROPERTY OF THE DRAWING IS ESTABLISHED BY LAW. IT IS FORBIDDEN TO PRODUCE OR SHOW IT TO THIRD PART. WITHOUT A WRITTEN AGREEMENT.

Item	Name	Q.ty
1	GPG.2.1	4
2	GPG.2.2	4
3	GPG.3.4	1
4	GPG.3.5	1
5	M.33x120.35N	4
6	MAN.KH16PP	8
7	R.4.SCH	16
8	R.8.L	4
9	R.8.SCH	4
10	V.TCE4x16	16
11	V.TCE8x16	4
12	V.TSP8x20	4



Format A3
UNI 936-76

 FPS SERVICES AUTOMATION		DESIGNED FROM		REVIEW
		FPS Automation		A
GENERAL TOLERANCE		DATE		WEIGHT
UNI - ISO 2768		-		3,798kg
CLASSE f		CODE		
		CA.GPG.3		CA.GPG.3